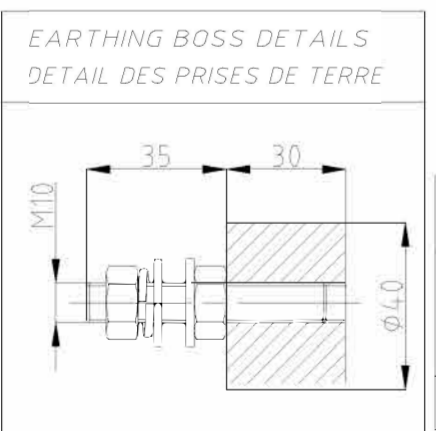


Main Fire Water Pump

DRIVER DETAILS
DETAILS ENTRAINEMENT

| | |
|------------------------------|-------------|
| MANUFACTURER FABRICANT | LEROY SOMER |
| TYPE | FLSC 355 LA |
| FRAME SIZE TAILLE | F355 |
| SPEED VITESSE DE ROTATION | 1490 min-1 |
| POWER PUISSANCE | 200 kw |



PERMISSIBLE TOLERANCES
TOLERANCES GENERALES

| FOR OVERALL DIMENSIONS | ≤ 500 mm | > 500 mm |
|----------------------------------|---------------|------------|
| TOUTES DIMENSIONS D'ENCOMBREMENT | $\pm 2\%$ | $\pm 1\%$ |
| WEIGHT - MASSE | $\pm 10\%$ | |

Anchor Bolts
Refer to P357-0000-STC-1790-034
Type B-20-430
Anchor bolts are not in Flowserve Scope

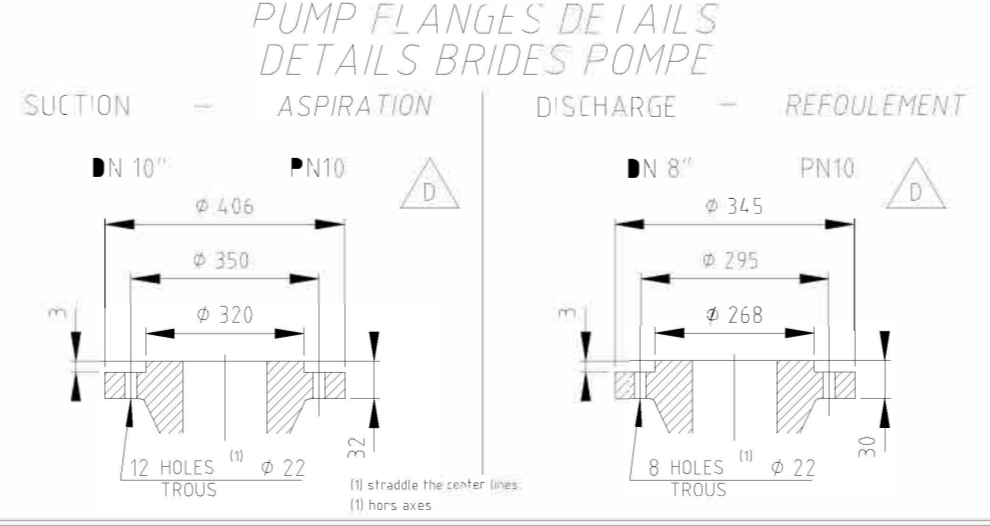
WEIGHT - MASSE

| | |
|---|----------|
| PUMP POMPE | 400 kg |
| MOTOR MOTEUR | 1420 kg |
| COUPLING ACCOUPEMENT | 70 kg |
| BASEPLATE SOCLE | 800 kg |
| OTHERS AUTRES | 500 kg |
| TOTAL WEIGHT (without water) MASSIF TOTAL E (sans eau) | 3190 kg |
| DYNAMIC CHARGE DYNAMIC CHARGE | 4466 daN |

PUMP NOZZLE LOADINGS
EFFORTS MAXIMUM SUR POMPE

The Loads and Torques on the flanges do not exceed the values specified in the following list.
Les contraintes exercées sur les brides ne doivent pas excéder les valeurs spécifiées dans le tableau suivant

| | Fx | Fy | Fz | ΣF | Mx | My | Mz | ΣM |
|-----------------------|-----|-----|-----|------------|-------|-----|-----|------------|
| | daN | | | | daN.m | | | |
| SUCTION ASPIRATION | 335 | 300 | 270 | 520 | 180 | 125 | 145 | 260 |
| DISCHARGE REFOULEMENT | 240 | 215 | 265 | 415 | 125 | 85 | 100 | 180 |



1st Angle Projection

PROPRIETARY NOTE
THIS MATERIAL IS THE PROPERTY OF FLOWSERVE INTERNATIONAL INC. AND IS FURNISHED ONLY FOR THE PURPOSE INDICATED. ANY AND ALL CONFIDENTIAL, PROPRIETARY, PATENT AND OTHER RIGHTS, IN THE SUBJECT MATTER HEREIN, ARE RESERVED. ANY EXCLUSIVE RIGHT TO USE AND/OR MANUFACTURE AND/OR FOR SALE OF THE SUBJECT MATTER HEREIN, OR ANY REPRODUCTION TO REPRODUCE THIS MATERIAL, IN WHOLE OR IN PART, OR MANUFACTURE OF THE SUBJECT MATTER HEREIN OR USE OF THE CONFIDENTIAL OR PROPRIETARY INFORMATION THEREIN, WITHOUT PERMISSION TO BE GRANTED ONLY BY SPECIFIC AUTHORIZATION IN WRITING ISSUED BY AN OFFICER OR OTHER AUTHORIZED AGENT OF FLOWSERVE, IS STRICTLY PROHIBITED.

APPROVAL NOTE TO CUSTOMER
1. PURCHASER'S COMMENTS AND/OR CORRECTIONS, WITHIN THE SCOPE OF CONTRACT, WILL BE MADE ON THE FIRST SUPPLIED CERTIFIED DRAWING SUBMITTED BY FLOWSERVE CORPORATION AND RETURNED.
2. CORRECTIONS, ALTERATIONS, ADDITIONS AND MODIFICATIONS, OUTSIDE SCOPE OF CONTRACT OR MADE AFTER FIRST SUBMITTAL, MAY REQUIRE AN ADDITIONAL ENGINEERING SERVICE CHARGE.
3. ITEMS CONDITIONALLY APPROVED OR WITH DEFERRED APPROVAL BY PURCHASER MUST BE SPECIFICALLY STATED OTHERWISE DELIVERY MAY BE EFFECTED.

STATUS OF APPROVAL
APPROVED

ORDER No. SP51200898-02

DRAWN BY J. BIARD DATE 12-02-14
CHECKED BY J. MORICE DATE 12-02-14
APPROVED BY E. DANIEL DATE 12-02-14

FLOWSERVE Pump Division
Arrage Operation

Pompe/Pump : ME-TI 200-500
Moteur/Motor : Leroy Somer FLSES 355 LA
51200898-GAD-002
Plan d'encombrement / General arrangement

SIZE A2 DRAWING NO. A-3989735 REV D

SCALE 1:15 UNITS mm SHEET NO. 1 / 1 n/p

mt3989735d.dwg